

WILD RIDGE ADDITION TO THE CITY OF SPRINGFIELD

INSTRUMENT OF DEDICATION
KNOW ALL MEN BY THESE PRESENTS THAT: Thomas J. Ryan and Kori A. Ryan, husband and wife, owners and proprietors, and F&M Bank of Springfield, a Minnesota Corporation, mortgagee, of the following described property situated in the City of Springfield, County of Brown, State of Minnesota, to wit:

Balance of Outlot Two (2) of Tract One (1) of the South Half of the Northwest Quarter (S112 of NW114), Section Nineteen (19), Township One Hundred Nine (109) North, Range Thirty-four (34), City of Springfield, Brown County, Minnesota, excepting therefrom the following: First Extension of Hyland Addition, City of Springfield, Brown County, Minnesota; Second Extension to Hyland Addition, City of Springfield, Brown County, Minnesota; and the South 15 feet of the Balance of Outlot 2 of Tract 1 of NW 1/4, Section 19, Township 109, Range 34, City of Springfield, Brown County, Minnesota,

They have caused the hereinbefore-described property to be surveyed and platted as: WILD RIDGE ADDITION.

In witness whereof said Thomas J. Ryan and Kori A. Ryan, husband and wife, caused these

presents to be executed on this ____ day of _____, 20__.

Thomas J. Ryan
Kori A. Ryan

STATE OF MINNESOTA
COUNTY OF _____

The foregoing instrument was acknowledged before me this ____ day of _____, 20__ by Thomas J. Ryan and Kori A. Ryan, husband and wife.

Notary Public, _____ County, MN.
My commission expires _____

MORTGAGE CONSENT

In witness whereof said F&M Bank of Springfield, does hereby consent to the platting of WILD RIDGE ADDITION

on this the ____ day of _____, 20__.

Paul Pieschel, President

NOTARY
STATE OF MINNESOTA
COUNTY OF _____

The foregoing instrument was acknowledged before me this ____ day of _____, 20__ by Paul Pieschel, President of F&M Bank of Springfield.

Printed Name:
Notary Public, _____ County, MN.
My commission expires _____

SURVEYOR'S CERTIFICATE

I hereby certify, that I have surveyed or directly supervised the survey of the property described on this plat; that I prepared this plat or directly supervised the preparation of this plat; that this plat is a correct representation of the boundary survey; that all mathematical data and labels are correctly designated on this plat; that all outside boundary monuments of the plat have been correctly set and that all other required monuments have or will be correctly set within one year of the recording of this plat; that all water boundaries and wet lands as defined in Minnesota Statutes Section 505.01, subdivision 3, as of the date of the surveyor's certification are shown and labeled on this plat and that all public ways are shown and labeled on this plat.

Jesse D. Zeig, Land Surveyor
Minnesota Registration No. 44996

NOTARY
STATE OF MINNESOTA
COUNTY OF BROWN

The foregoing instrument was acknowledged before me this ____ day of _____, 20__ by Jesse D Zeig, Minnesota Surveyor License Number 44996.

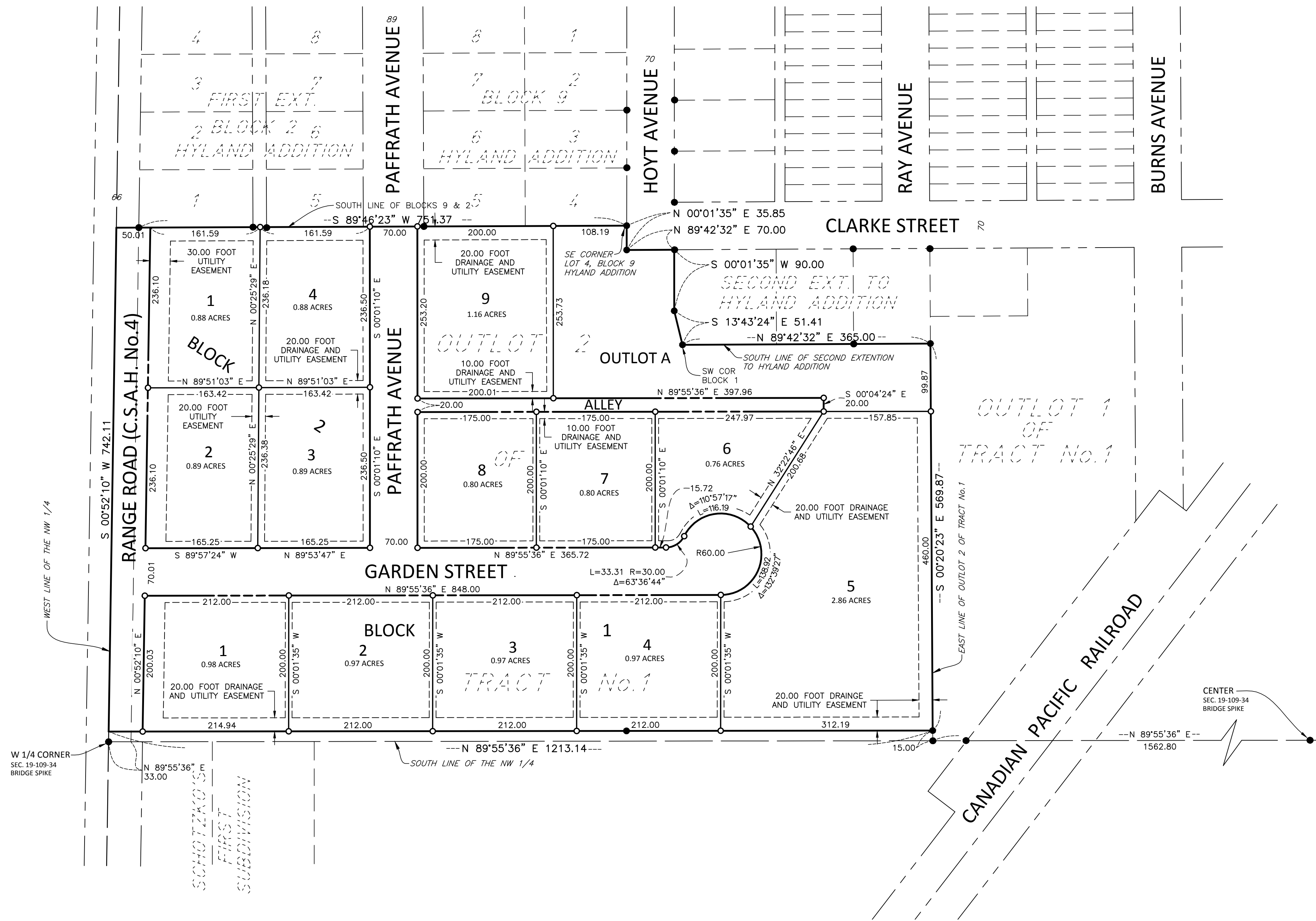
Judy Johnson
Notary Public, Brown County, MN.
My commission expires 1-31-2016

CITY COUNCIL OF CITY OF SPRINGFIELD

I hereby certify that this plat was presented to the City Council of the City of Springfield, Brown County, Minnesota, and that same was by resolution approved,

adopted and ordered filed this ____ day of _____, 20__.

City Clerk

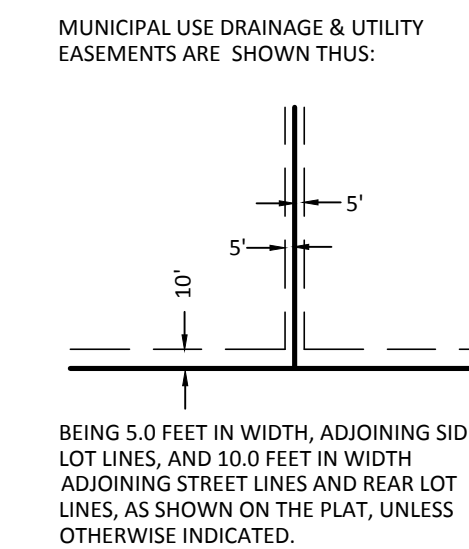


W 1/4 CORNER
SEC. 19-109-34
BRIDGE SPIKE

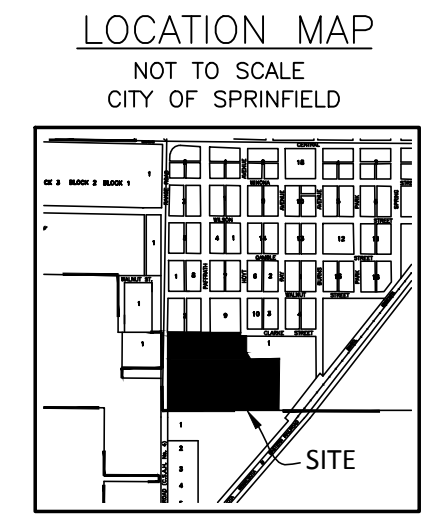
SCHOTZKO'S
FIRST
SUBDIVISION

CANADIAN PACIFIC RAILROAD

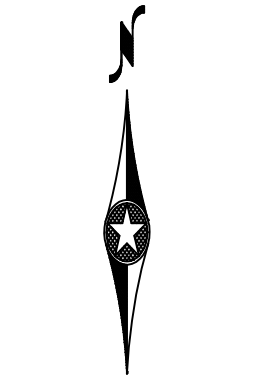
CENTER
SEC. 19-109-34
BRIDGE SPIKE



BEING 5.0 FEET IN WIDTH, ADJOINING SIDE LOT LINES, AND 10.0 FEET IN WIDTH ADJOINING STREET LINES AND REAR LOT LINES, AS SHOWN ON THE PLAT, UNLESS OTHERWISE INDICATED.



BEARINGS ARE BASED ON THE BROWN COUNTY COORDINATE SYSTEM, NAD83, (2011 ADJUSTMENT)



LEGEND
○ 1/2" IRON PIPE MONUMENT SET MARKED BY REG. NO. 44996
● MONUMENT FOUND

OFFICE OF THE COUNTY AUDITOR/TREASURER, BROWN COUNTY, MINNESOTA

I hereby certify that a copy of this plat has been filed in my office, that there are no delinquent taxes due, that the current taxes have been paid,

and transfer entered on my record this ____ day of _____, 20__.

Brown County Auditor/Treasurer

OFFICE OF THE COUNTY RECORDER, BROWN COUNTY, MINNESOTA

DOCUMENT NUMBER _____

I hereby certify that this instrument was filed in the office of the County Recorder for record on this ____ day of _____, 20__, at ____ o'clock __M.

Brown County Recorder